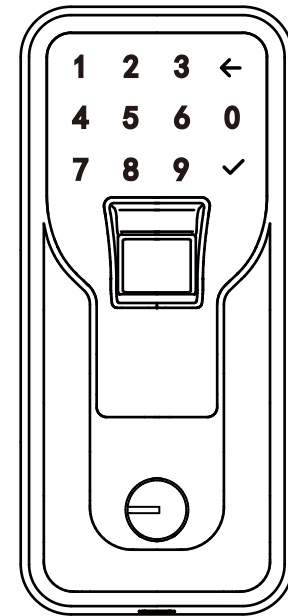




iMagic®

iMagic Touch Smart Fingerprint & Code Lock (Electronic Deadbolt) Installation Guide



 iMagic®

WARNING

- Do not use a power drill for installation.
- Install and test the lock with the door open to avoid being locked out.
- Please read all the instructions before contacting customer support.
- Please contact customer support before returning the product to the store.
- DO NOT install the batteries before installing the lock!
Follow the instructions in sequential order!
- If you have previously installed this lock on another door, you must perform a Factory Default Reset FIRST! See the User Guide for more information.
- This lock is designed for the following operating temperatures:
Outside Lock Body (exterior mounted): -4°F ~ 140°F
Inside Lock Body (interior mounted): -4°F ~ 140°F

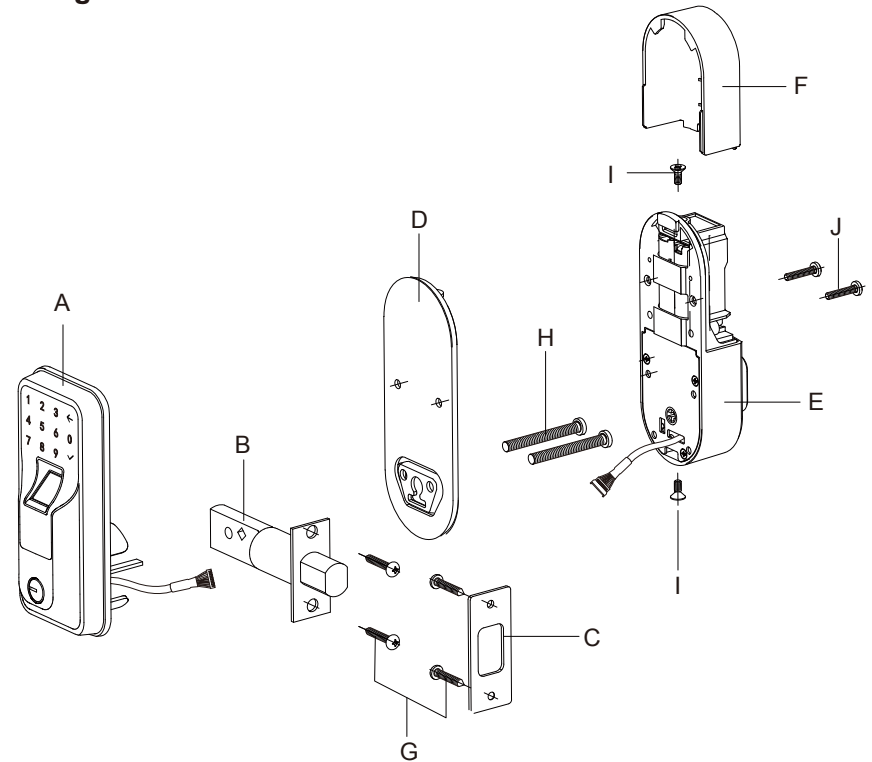
Installation Video

Please watch our step by step installation video before attempting to install your iMagic smart lock at iMagicliving.com.

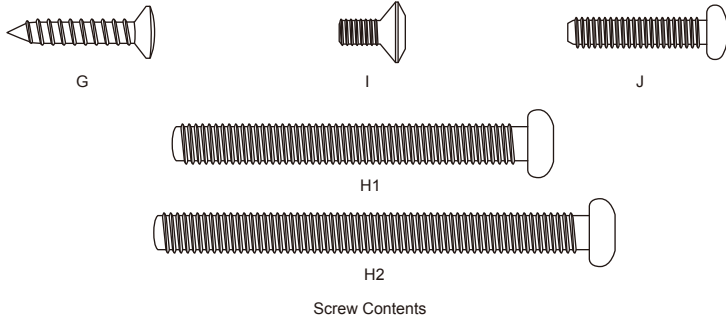
Need Help?

For technical documents and more
Please visit iMagicliving.com
Tel: 1- 866-201-3421
Email: support@iMagicliving.com

Package Includes:



Num	Name	Quantity	Num	Name	Quantity
A	Exterior Assembly	1	G	Screw G	4
B	Deadbolt Latch	1	H	Screw H1 2-5/32" (55mm)	2
C	Strike Plate	1		Screw H2 2-1/2" (65mm)	2
D	Mounting Plate	1	I	Screw I	2
E	Interior Assembly	1	J	Screw J	2
F	Battery Cover	1			



Name	Quantity
AA Alkaline Battery	4
Keys	2
Needle	1
Installation Guide	1
User Guide	1

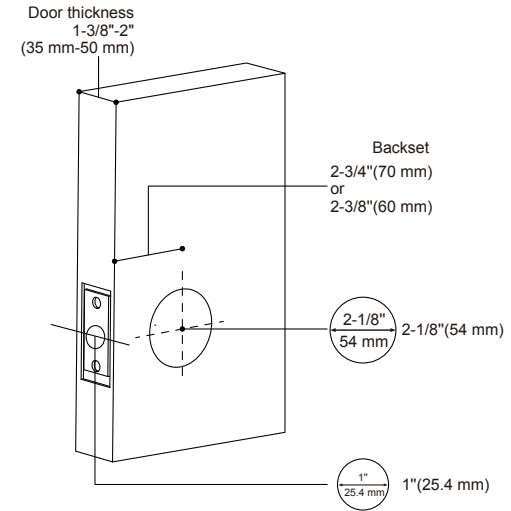
1. New installations (If door is currently drilled, please make sure holes match the below dimensions):

1" I.D. (25.4 mm) hole on door edge for latch

2-1/8" I.D. (54 mm) hole for the backset: backset can be 2-3/8" (60 mm) or 2-3/4" (70 mm)

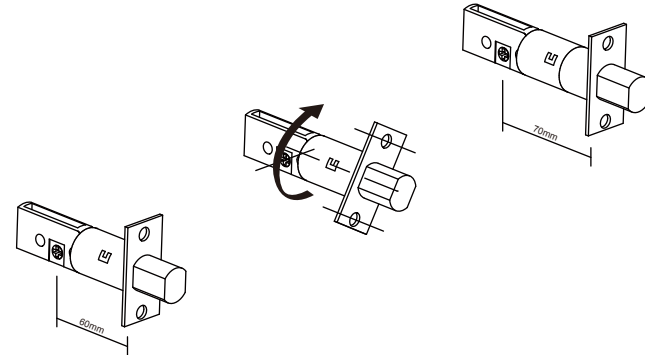
1-3/8" (35 mm) to 2" (51 mm) door thickness

- Determine desired height on door for your new lock. Fold template around edge of door at desired height.
- Ensure that centerline of template is at center of door's edge width. Without allowing template to move, attach with tape and mark centerline for both holes (at desired backset and at door's edge).
- Having marked holes, remove template and drill a 2-1/8" (54 mm) hole through door for the backset and a 1" (25.4 mm) hole on the door's center edge for the latch.



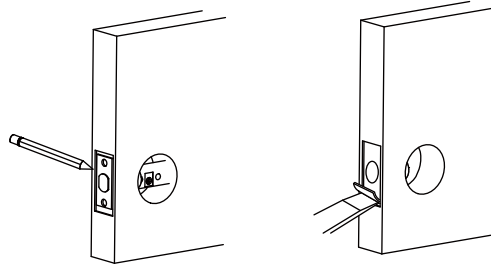
2. Installing Latch

- Adjust the length of latch if needed according to the backset dimension.



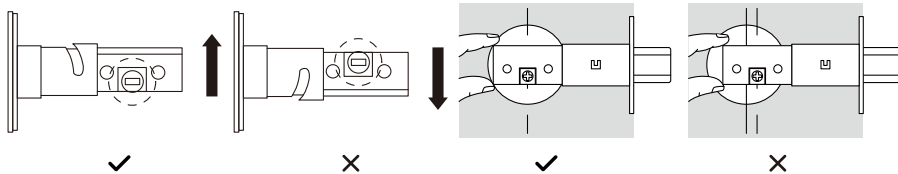
B1. If you have not installed a lock before:

Insert latch into pocket and trace around faceplate. Remove latch. Staying within line, chisel wood to roughly 5/32" (4 mm) depth. Check needed depth periodically by inserting latch.



B2. If door has been mortised previously, insert new latch to test fit. Adjust mortise as necessary.

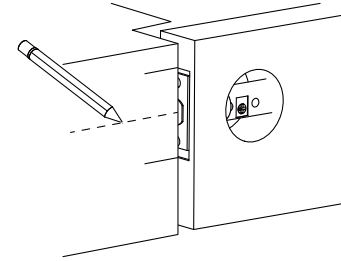
Note:



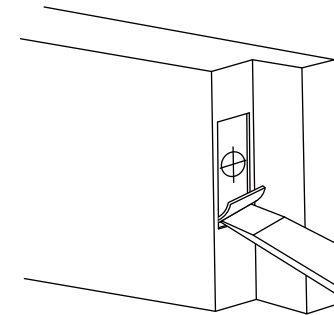
C. Secure latch with screws provided (G).

3. Installing Strike Plate

A. Position strike plate in line with latch on door jamb and mark vertical position. Center strike plate in door jamb. Trace around faceplate and mark centerline for 1" (25.4 mm) hole. Remove strike plate.



Drill 1" (25.4) hole for latch. Staying within line, chisel wood to roughly 5/64" (2 mm) depth. Check needed depth occasionally by inserting strike plate.

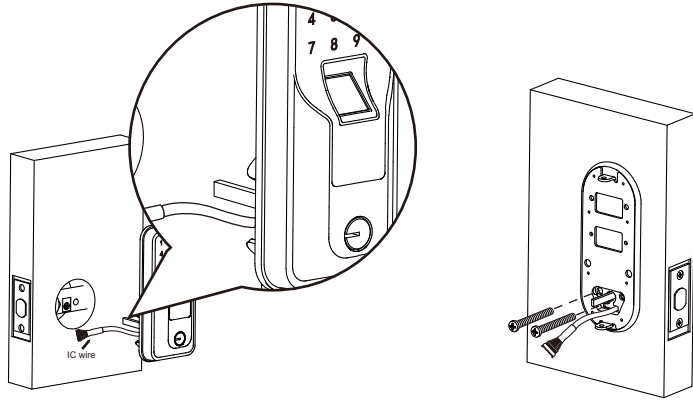


Door jamb

B. Secure strike plate with screws provided (G).

4. Installing Exterior Assembly with Mounting Plate

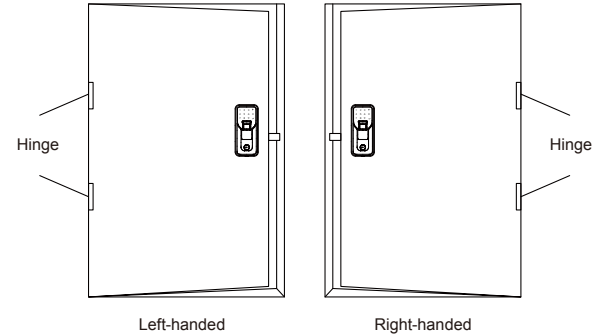
- A. Pass the tailpiece vertically through the wire hole of Mounting Plate.
- B. Pass the data wire of Exterior Assembly under the latch through the wire hole of Mounting Plate.
- C. Attach the Mounting Plate with screws (H1 or H2). If the position of the Exterior Assembly is uneven, loosen screws to adjust position and tighten again.



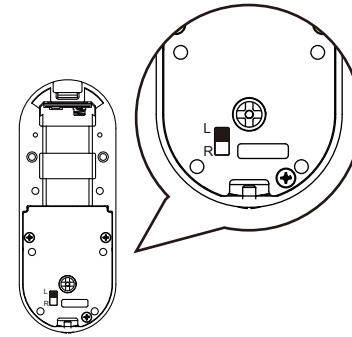
★Note: Use the key to open/close the door to ensure that the door operates smoothly.

5. Identify Door Handing and adjust Left(L)/Right(R) switch and the Thumb Turn Piece.

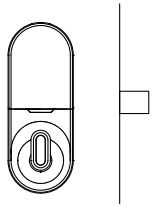
- A. Face the door from outside to determine your Door Handing.



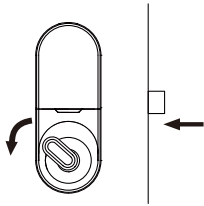
- B. Adjust the Left(L)/Right(R) switch of Interior Assembly according to your Door Handing.



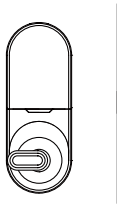
- C. Rotate the Thumb Turn Piece according to your Door Handing.



Locked

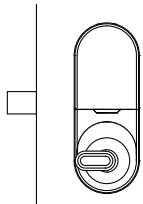


Opening

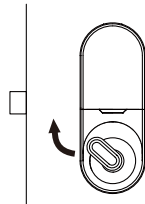


Opened

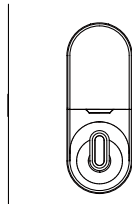
Right-handed



Locked



Opening

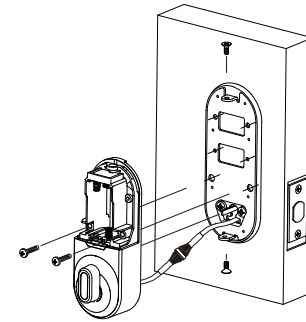


Opened

Left-handed

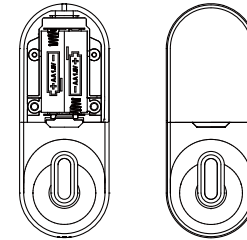
6. Installing Interior Assembly

- A. Remove the battery cover.
- B. Connect the data wires of Interior Assembly and Exterior Assembly.
- C. Engage the tailpiece of deadbolt with the turn piece of Interior Assembly.
- ★Note: Rotate the Thumb Turn Piece to ensure that the door operates smoothly.
- D. Use 4 screws (J) to attach the Interior Assembly.



7. Insert Batteries

Insert 4 AA alkaline batteries and slide the battery cover back.



8. Check you have installed the lock correctly

- A. Open with keys/Thumb Turn Piece/admin code(factory default:000000) successfully.
- B. Close with keys/Thumb Turn Piece/touch screen(2 seconds later) successfully.

Congratulations! You have installed your lock correctly!